

Plug Valve

GBO.LOK[®]



Plug valve

SPV130 series

feature

1. Max working pressure: 3000 PSI (206 bar) @ 100 ° F (37 ° C)
2. Working temperature range:- 10 ° F to 400 ° F (-23 ° C to 204 ° C);
3. Integrated valve body design, simple structure;
4. 316 stainless steel valve body material;
5. Panel installation;
6. Multiple terminal connection types to choose from;
7. Direct flow path;
8. replaceable plug components;
9. Easy to clean and maintain.



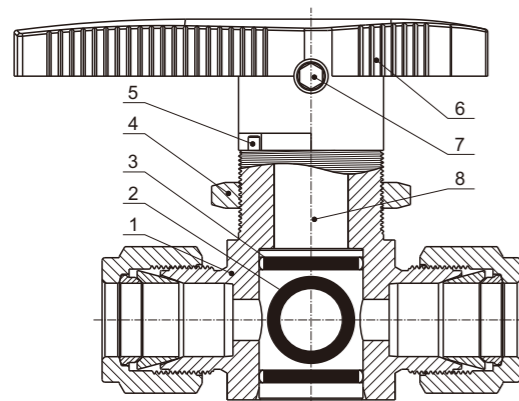
Testing

Each plug valve undergoes pressure testing before leaving the factory to test the pressure 600psig(41.3bar)

Pressure temperature rating

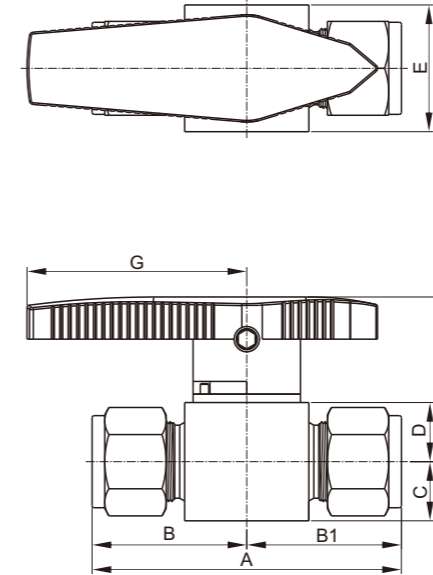
Valve series	SPV1301/SPV1302	SPV1301	SPV1302
Material	316 stainless steel	Brass	
Temperature, °F(°C)	Working Pressure,psig(bar)		
-10 to 100(-23 to 37)	3000 (206)	3000 (206)	2000 (137)
150(65)	3000 (206)	2500 (172)	2000 (137)
200(93)	3000 (206)	2000 (137)	2000 (137)
250(121)	2000 (137)	1500 (103)	1500 (103)
300(148)	1000 (68.9)	1000 (68.9)	1000 (68.9)
350(176)	1000 (68.9)	1000 (68.9)	1000 (68.9)
400(204)	1000 (68.9)	400 (27.5)	400 (27.5)

Standard structural materials

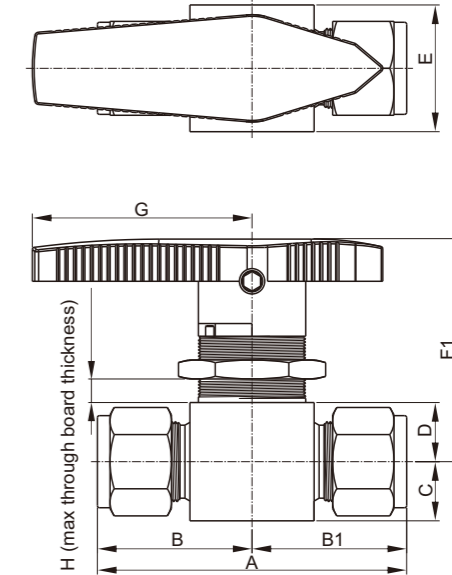


Number	Component Name	Body Material
		stainless steel
1	Valve Body	316 stainless steel/A479
2	O-ring	Viton
3	O-Ring	Viton
4	Threading nut	316 stainless steel/A479
5	stop screw	stainless steel
6	handle	Nylon+Aluminum
7	lock screw	stainless steel
8	cock	316 stainless steel/A479,spray PTFE

Standard type



Panel installation type



Size table

Model	Series	Specs	ID (mm)	(Cv)	Connection Method		size(mm)											
					import	Export	A	B	B1	C	D	E	F	F1	G	H		
SPV1301	F2N			1.2	1/8 NPT female thread		45.2	22.6	22.6									
	F4N			0.9	1/4 NPT female thread		53.2	26.6	26.6									
	M4N-F4N		4.4	0.9	1/4 NPT male thread	1/4 NPT female thread	50.8	24.2	26.6									
	M2N			1.0	1/8 NPT male thread		39.0	19.5	19.5									
	M4N			1.0	1/4 NPT male thread		48.4	24.2	24.2	9.5	9.5	20.0	27.9	35.5	28.9	6.4		
	M4N-S4			0.9	1/4 NPT male thread	1/4" Card sleeve connector	51.8	24.2	27.6									
	S2		2.3	0.1	1/8" Card sleeve connector		50.6	25.3	25.3									
	S4			4.4	1.6	1/4" Card sleeve connector		55.2	27.6	27.6								
	S6M				1.6	6mm Card sleeve connector		55.2	27.6	27.6								
SPV1302	F4N			4.3	1/4 NPT female thread		60.6	30.3	30.3									
	F8N			2.7	1/2 NPT female thread		73.2	36.6	36.6									
	M8N			2.4	1/2 NPT male thread		67.0	33.5	33.5									
	S8M			7.2	6.4	8mm Card sleeve connector	67.6	33.8	33.8	14.0	14.0	(30)	41.6	53.2	51.7	9.4		
	S10M				6.4	10mm Card sleeve connector	68.2	34.1	34.1									
	S12M				4.8	12mm Card sleeve connector	75.2	37.6	37.6									
	S6				6.4	3/8" Card sleeve connector	67.6	33.8	33.8									
	S8				4.4	1/2" Card sleeve connector	73.2	36.6	36.6									

The size is the size of the GBO-LOK nut when tightened by hand;
The size is for reference only. If there are any changes, the actual product shall prevail.

Ordering Information

Example



Valve Series

Standard type

SPV1301	SPV1302
4.4mm diameter	7.2mm diameter

Panel installation type

SPV1301P	SPV1302P
4.4mm diameter	7.2mm diameter

End Connection Type

S	M	F
GBO-LOK Card sleeve connector	male thread joint	female thread joint

End Connection Specs

Tube outside diameter code name

Outside diameter(in.)	1/8	1/4	3/8	1/2
Code Name	2	4	6	8
Outside diameter(mm)	6	8	10	12
Code Name	6M	8M	10M	12M

Pipe thread Code Name

specs(in.)		1/8	1/4	3/8	1/2
Code Name	NPT thread	2N	4N	6N	8N
	BSPT thread	2R	4R	6R	8R

Body Material

SS	B
316 stainless steel	brass