

Cleaning Valve

GBO.LOK®



Cleaning valve

application

The GBO-LOK purge valve is a manually operated relief valve. For safety reasons, install a rolled valve cover on the valve body. Use a wrench to turn it from the hand tight position by a quarter to the initially closed leak proof fastening position, and then turn it with a wrench to continue closing and reach the rated pressure.



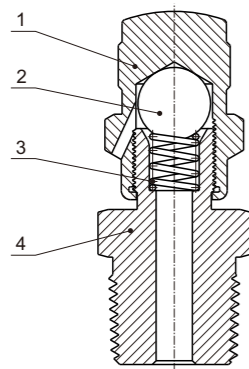
feature

1. Compact structure, easy to install;
2. The exhaust hole discharges excessive liquid or gas from the system pipeline;
3. The valve cap closure design can prevent accidents from occurring;
4. Multiple end connections: GBO-LOK tube fittings, NPT male thread or ISO taper tube male thread end connections.



When operating the GBO-LOK cleaning valve, the system fluid discharge hole should be directed away from the operator. The direction of the discharge hole changes with the rotation of the valve cover, and the rotation of the valve cover changes the direction of fluid discharge. The cleaning valve should be slowly opened. These valves have no packing, and when the valve is opened, some fluid will leak out. Operators must protect themselves to prevent exposure to system fluids.

Standard structural materials



| Number | Component Name | Body Material |
|--------|----------------|--------------------------|
| | | 316 stainless steel |
| 1 | bonnet | 316 stainless steel/A479 |
| 2 | steel ball | 316 stainless steel/A479 |
| 3 | spring | 304 stainless steel |
| 4 | valve body | 316 stainless steel/A479 |

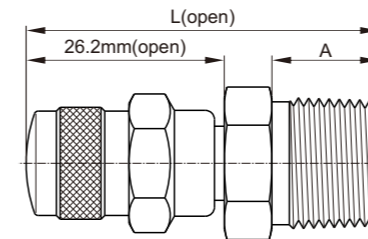
Technical Parameter

| Valve Series | Pressure - Temperature Range | |
|--------------|---------------------------------|------------------------------|
| | Temperature | Working pressure |
| SPUV | -65°F to 600°F (-54°C to 315°C) | 4000psig(275bar)@100°F(38°C) |

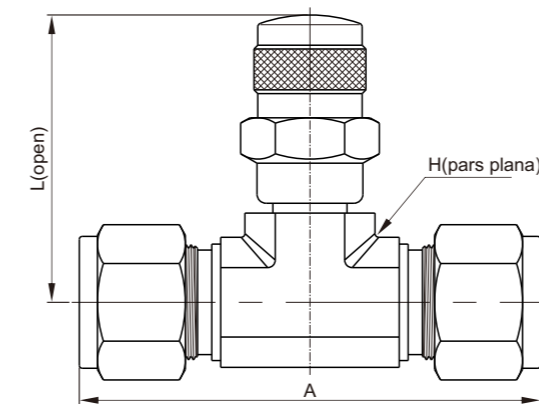
Pressure - Temperature Value

| Body Material | 316 stainless steel | |
|--------------------|------------------------------|------------|
| Temperature°F (°C) | working pressure, psig (bar) | |
| -65(-53) to | 100(37) | 4000 (275) |
| | 150(65) | 3720 (256) |
| | 200(93) | 3440 (237) |
| | 300(148) | 3105 (213) |
| | 350(176) | 2975 (204) |
| | 400(204) | 2850 (196) |
| | 450(232) | 2750 (189) |
| | 500(260) | 2650 (182) |
| | 600(315) | 2500 (172) |

Size table



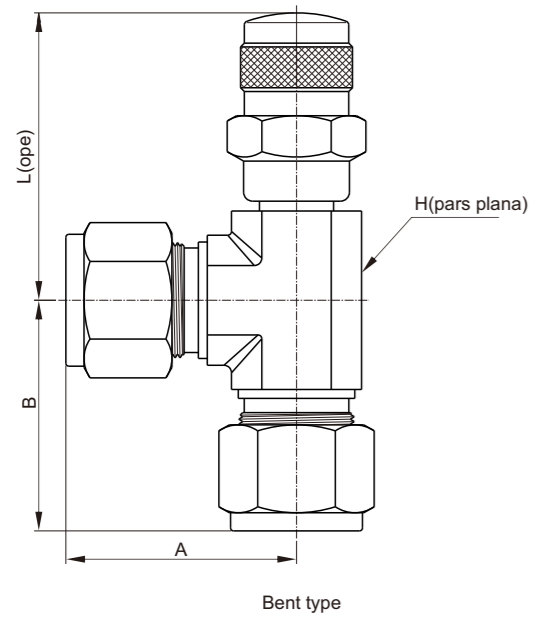
Direct type



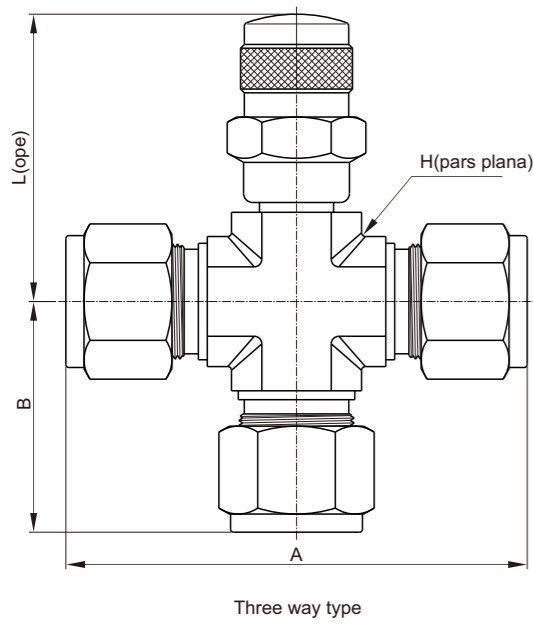
Joint two-way type

| Model | Connection Method | size(mm) | |
|----------|----------------------------|----------|------|
| | import | L | A |
| SPUV-F2N | 1/8" NPT female thread | 39.6 | 13.5 |
| SPUV-F4N | 1/4" NPT female thread | 44.4 | 18.3 |
| SPUV-F6N | 3/8" NPT female thread | 46.0 | 19.8 |
| SPUV-F8N | 1/2" NPT female thread | 50.3 | 24.6 |
| SPUV-M2N | 1/8" NPT male thread | 41.1 | 9.7 |
| SPUV-M4N | 1/4" NPT male thread | 46.0 | 14.2 |
| SPUV-M6N | 3/8" NPT male thread | 46.7 | 14.2 |
| SPUV-M8N | 1/2" NPT male thread | 53.1 | 19.1 |
| SPUV-S2 | 1/8" card sleeve connector | 46.7 | 15.0 |
| SPUV-S4 | 1/4" card sleeve connector | 49.3 | 17.5 |
| SPUV-S6 | 3/8" card sleeve connector | 51.6 | 19.1 |
| SPUV-S8 | 1/2" card sleeve connector | 55.6 | 22.4 |
| SPUV-S6M | 6mm card sleeve connector | 49.3 | 17.5 |
| SPUV-S8M | 8mm card sleeve connector | 50.8 | 18.3 |

| Model | Connection Method | size(mm) | | | |
|------------|----------------------------|----------|------|------|------|
| | import | Export | L | A | H |
| SPUV-S4-UT | 1/4" card sleeve connector | | 38.0 | 57.6 | 15.9 |
| SPUV-S6-UT | 3/8" card sleeve connector | | 38.0 | 61.0 | 15.9 |
| SPUV-S8-UT | 1/2" card sleeve connector | | 41.0 | 71.6 | 20.6 |



| Model | Connection Method | | size(mm) | | | |
|------------|----------------------------|--------|----------|------|------|------|
| | import | Export | L | A | B | H |
| SPUV-S4-ET | 1/4" card sleeve connector | | 38.0 | 28.8 | 28.8 | 15.9 |
| SPUV-S6-ET | 3/8" card sleeve connector | | 38.0 | 30.5 | 30.5 | 15.9 |
| SPUV-S8-ET | 1/2" card sleeve connector | | 41.0 | 35.8 | 35.8 | 20.6 |



| Model | Connection Method | | size(mm) | | | |
|------------|----------------------------|--------|----------|------|------|------|
| | import | Export | L | A | B | H |
| SPUV-S4-TT | 1/4" card sleeve connector | | 38.0 | 57.6 | 28.8 | 15.9 |
| SPUV-S6-TT | 3/8" card sleeve connector | | 38.0 | 61.0 | 30.5 | 15.9 |
| SPUV-S8-TT | 1/2" card sleeve connector | | 41.0 | 71.6 | 35.8 | 20.6 |

Ordering Information

Example

| | | | | |
|------|---|---|----|----|
| SPUV | S | 4 | UT | SS |
| 1 | 2 | 3 | 4 | 5 |

1 Valve Series

| |
|------|
| SPUV |
|------|

2 End Connection Type

| | | |
|-------------------------------|-------------------|---------------------|
| S | M | F |
| GBO-LOK card sleeve connector | male thread joint | female thread joint |

3 End Connection Specs

Tube Outside Diameter Code Name

| | | | |
|-----------------------|-----|-----|-----|
| Outside diameter(in.) | 1/4 | 3/8 | 1/2 |
| Code Name | 4 | 6 | 8 |
| Outside diameter(mm) | 6 | 10 | 12 |
| Code Name | 6M | 10M | 12M |

Pipe Thread Code Name

| | | | | | |
|------------|-------------|-----|-----|-----|----|
| specs(in.) | 1/8 | 1/4 | 3/8 | 1/2 | |
| Code Name | NPT thread | 2N | 4N | 6N | 8N |
| | BSPT thread | 2R | 4R | 6R | 8R |

4 Structure type code

| | | | |
|-------------|--------------------|-----------|----------------|
| Blank | UT | ET | TT |
| Direct type | Joint two-way type | Bent type | Three way type |

5 Body Material

| | |
|---------------------|-------|
| SS | B |
| 316 stainless steel | brass |