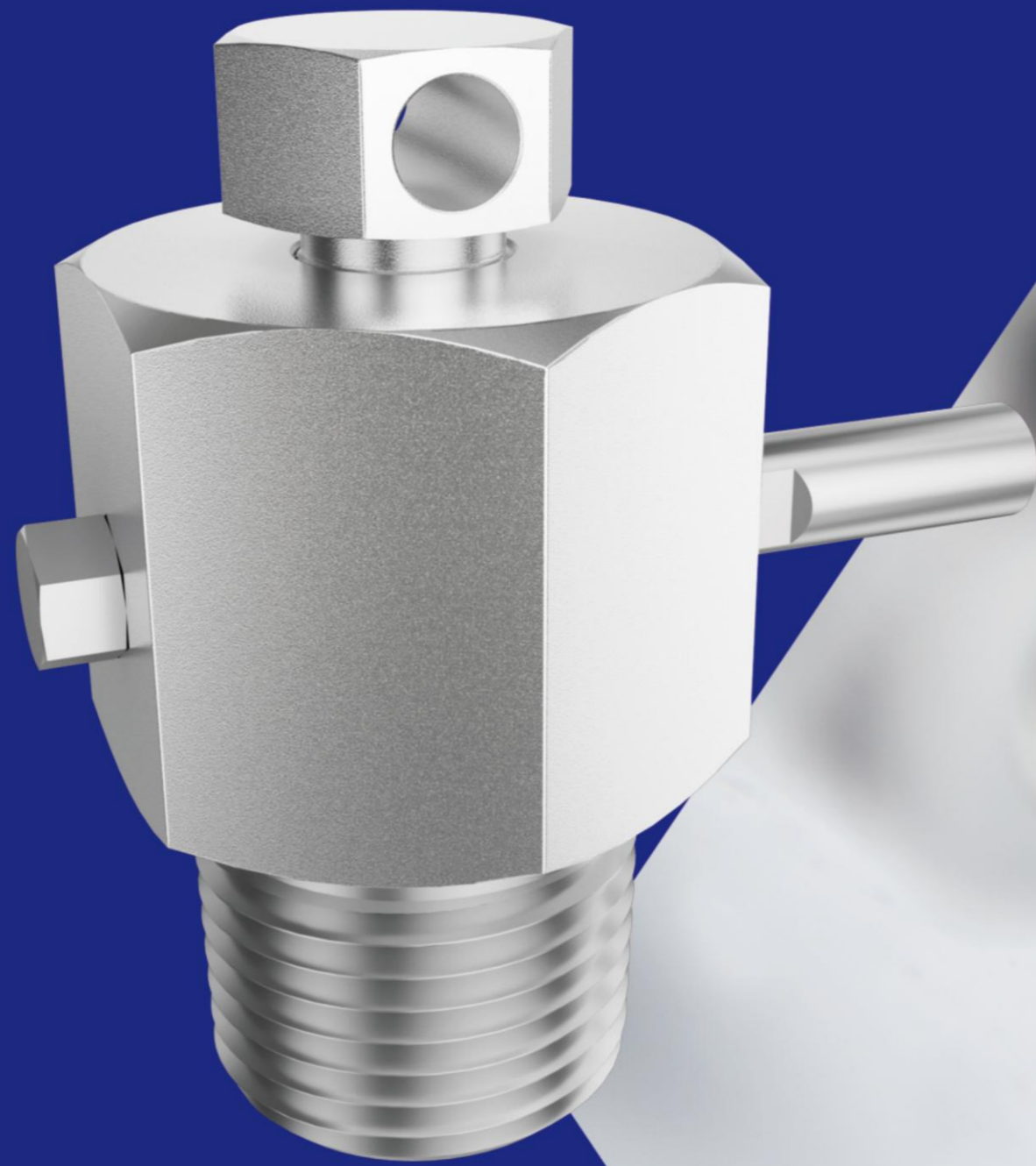


Relief Valve

GBO.LOKK®



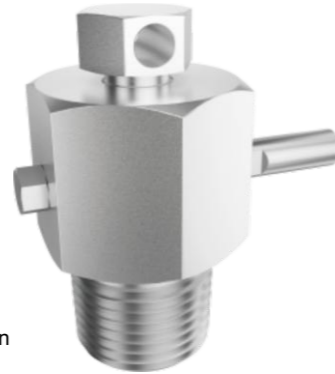
Relief valve

application

GBO-LOK relief valves can be applied to instrumentation devices (such as multi valve valve groups or pressure gauge valves) to facilitate Reduce pipeline pressure to atmospheric pressure before dismantling instrument equipment or assisting in calibrating control devices.

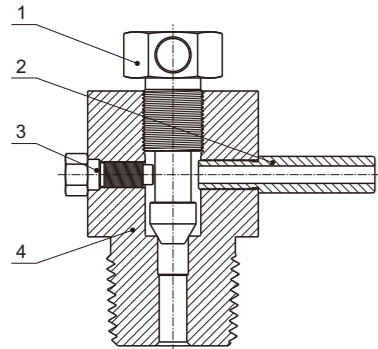
Feature

1. Compact structure, easy to install;
2. The rear stop screw can prevent the valve stem from accidentally falling off;
3. The chrome plating treatment of valve stem threads and valve stem heads can extend the service life of valves;
4. NPT male thread or ISO taper pipe male thread end connection.



When installing the GBO-LOK relief valve, please place a discharge pipe to drain the system fluid away from the operator. Always slowly open the relief valve. These valves do not contain packing, so there may be some liquid leakage after opening the valve. Operators must protect themselves from contact with system fluids.

Standard structural materials



Number	Component Name	Body Material
		316 stainless steel
1	valve stem	chrome plating 316 stainless steel/A479
2	discharge pipe	316 stainless steel/A269
3	rear stop screw	316 stainless steel
4	valve body	316 stainless steel/A479

Technical Parameter

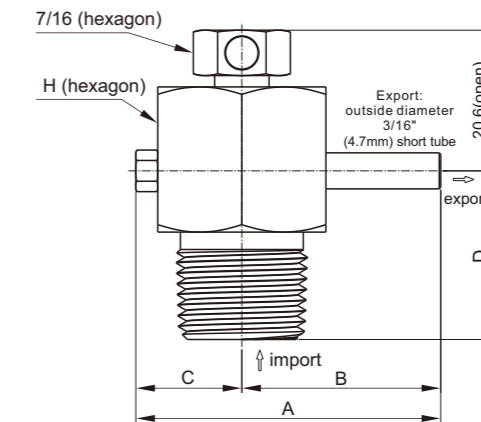
Valve Series	Internal diameter in.(mm)	Pressure - Temperature Range	
		Temperature	Working Pressure,psig(bar)
SBLV	0.125(3.2)	-65°F to 850°F(-54°C to 454°C)	10000psig(689bar)@100°F(38°C)

Testing

Each valve undergoes a nitrogen pressure test before leaving the factory to test the pressure 1000psig(69bar), Max leakage rate 0.1 std cm³/s; Static pressure shell pressure test can be conducted at 1.5 times the maximum working pressure.

Pressure - Temperature Value

Body Material	316 stainless steel	
Temperature,°F (°C)	Working Pressure,psig(bar)	
-65(-53) to	100(37)	10000 (689)
	200(93)	9290 (640)
	300(148)	8390 (578)
	400(204)	7705 (530)
	450(232)	7435 (512)
	500(260)	7165 (493)
	600(315)	6770 (466)
	650(343)	6660 (458)
	700(371)	6840 (446)
	750(398)	6335 (436)
	800(426)	6230 (429)
	850(454)	6085 (419)



Size table

Model	Connection Method		Cv	size in.(mm)				
	import	Export		A	B	C	D	H
SBLV-M2N	1/8" NPT male thread	outside diameter 3/16" (4.7) short tube	0.25	1.34(34.0)	0.94(23.9)	0.41(10.4)	0.75(19.1)	0.625(15.88)
SBLV-M4N	1/4" NPT male thread			1.47(37.3)	1.03(26.3)	0.44(11.2)	0.88(22.3)	0.875(22.23)
SBLV-M6N	3/8" NPT male thread			1.87(47.6)	1.15(29.3)	0.72(18.3)	1.00(25.4)	1.125(28.58)
SBLV-M8N	1/2" NPT male thread							
SBLV-M12N	3/4" NPT male thread							

Optional parts

To purchase a 316 stainless steel rod handle, please add - BH after the model number.

Example:SBLV-M4N-BH