

Safety Valve

GBO.LOK®



Safety Valve

feature

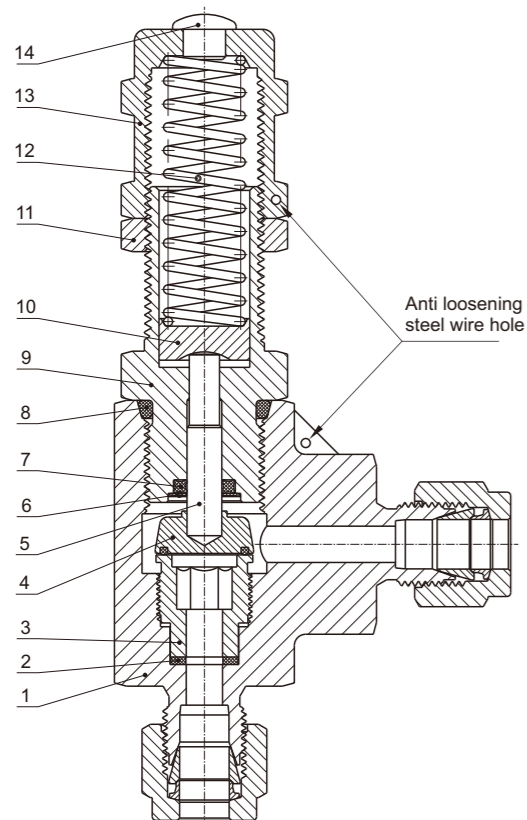
1. Compact structure;
2. The opening pressure can be adjusted externally;
3. The available steel wire locking proportional unloading valve for calibrating the opening pressure effectively maintains the set pressure;
4. Each valve undergoes testing before leaving the factory.

low-pressure safety valve

SRVL series

Technical Parameter

1. Maximum work pressure: 300psig(20.6bar);
2. Opening pressure: 10psig to 250psi (0.69bar to 17.2 bar);
3. Diameter: 4.8mm;
4. A spring can adjust the pressure within this range;
5. Spring color: blue;



Standard structural materials

Number	Component Name	Material
1	valve body	316 stainless steel/A182
2	sealing gasket	PTFE
3	valve seat	316 stainless steel/A479
4	adhesive disc	316 stainless steel/A479+VITON
5	valve stem	316 stainless steel/A479
6	sealing & blocking ring	316 stainless steel/A479
7	sealing ring	VITON
8	O-rings	VITON
9	bonnet	316 stainless steel/A479
10	spring support seat	316 stainless steel/A479
11	locking nut	316 stainless steel/A479
12	spring	S17700 stainless steel
13	adjustment nut	316 stainless steel/A479
14	blocking	polypropylene

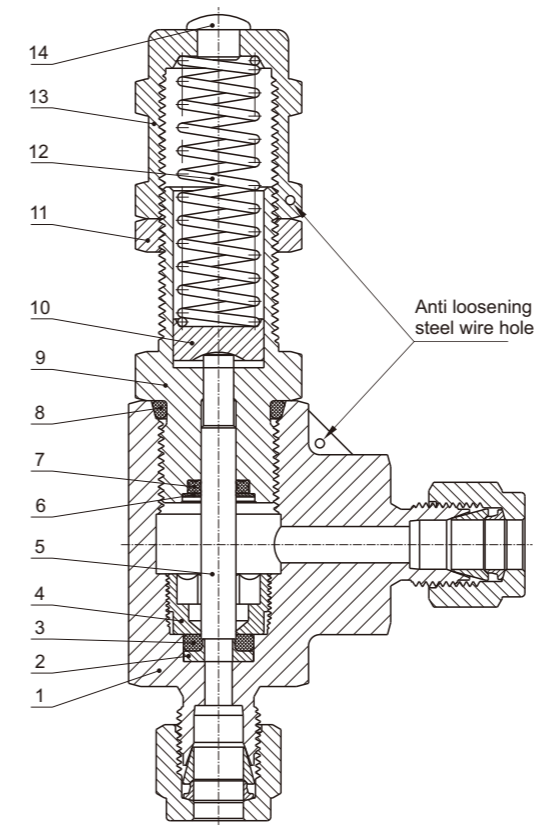


High pressure safety valve

SRVH series

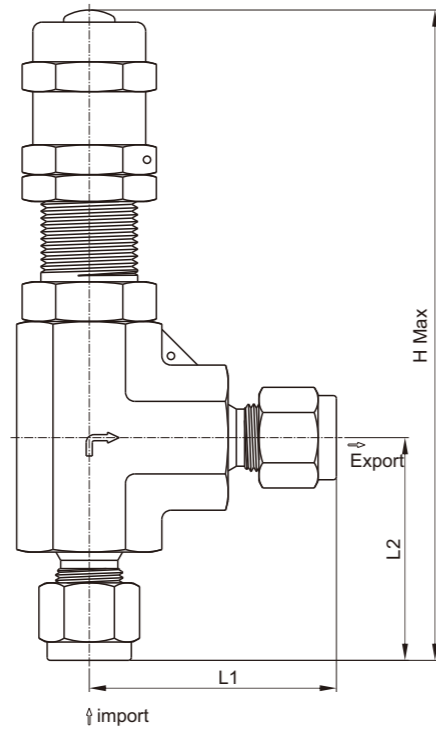
Technical Parameter

1. Maximum working pressure: 6000PSI (414bar);
2. Opening pressure: 225PSI to 6000PSI (15.5 bar to 414 bar);
3. Diameter: 3.6mm;
4. Multiple springs correspond to different pressures.



Standard structural materials

Number	Component Name	Material
1	valve body	316 stainless steel/A182
2	valve seat	316 stainless steel/A479
3	O-rings	VITON
4	Valve seat cover	316 stainless steel/A479
5	valve stem	316 stainless steel/A479
6	sealing & blocking ring	316 stainless steel/A479
7	sealing ring	VITON
8	O-rings	VITON
9	bonnet	316 stainless steel/A479
10	spring support seat	316 stainless steel/A479
11	locking nut	316 stainless steel/A479
12	spring	S17700 stainless steel
13	adjustment Nut	316 stainless steel/A479
14	blocking	polypropylene



Size table

Model		ID (mm)	Connection Method		size(mm)		
Series	Specs		import	Export	L1	L2	H
SRVL or SRVH	S4	SRVL: 4.8 SRVH: 3.6	1/4" card sleeve connector	1/4" card sleeve connector	38.7	37.3	104.6
	S6M		6mm card sleeve connector	6mm card sleeve connector	38.7	37.3	104.6
	S8M		8mm card sleeve connector	8mm card sleeve connector	38.7	37.3	104.6
	S6		3/8" card sleeve connector	3/8" card sleeve connector	44.4	44.4	111.7
	S8		1/2" card sleeve connector	1/2" card sleeve connector	46.7	46.7	114.0
	S12M		12mm card sleeve connector	12mm card sleeve connector	46.7	46.7	114.0
	M8N S8		1/2 NPT male thread	1/2" card sleeve connector	46.7	35.7	103.0
	M8N S12M		1/2 NPT male thread	12mm card sleeve connector	46.7	35.7	103.0
	M4N F4N		1/4 NPT male thread	1/4 NPT female thread	30.0	32.2	99.5
	M6N F6N		3/8 NPT male thread	3/8 NPT female thread	34.5	32.2	99.5
M8N F8N	1/2 NPT male thread	1/2 NPT female thread	38.0	35.7	103.0		

The size is for reference only. If there are any changes, the actual product shall prevail.

Ordering Information

Example

SRVH	M	8N	S	8	Y	SS
1	2	3	2	3	5	6

1

Valve Series

SRVL	SRVH
low pressure	high pressure

2

End Connection Type

S	M	F
GBO-LOK card sleeve connector	male thread joint	female thread joint

3

End Connection Specs

Tube outside diameter code name

Code	4	6	8
OD(in.)	1/4	3/8	1/2
Code	6M	8M	12M
OD(mm)	6	8	12

Pipe thread Code Name

specs(in.)	1/4	3/8	1/2
NPT thread code	4N	6N	8N

4

Spring code

Blank	Y	P	O
10-225psig (Only applicable to the SRVL series)	225-750psig	750-1500psig	1500-2250psig
B	W	R	G
2250-3000psig	3000-4000psig	4000-5000psig	5000-6000psig

5

Body Material

SS
ASTM A182 F316 stainless steel