

Filter

GBO.LOK®



Micron level online filter SIF series

SIF series

Feature

1. Remove particulate pollutants from the system;
2. Direct type filters can be used in places with limited space;
3. Replaceable filter element;
4. Maximum working pressure: 3000 PSI (206 bar) @ 70 °F (21° C);
5. Working temperature range: -20 °F to 900 °F (-28 °C to 482 °C);
6. End connection size: 1/8" to 1/2", 3mm to 10mm.



Pressure - Temperature Value

Valve Series	SIF1&SIF2	SIF3&SIF4
Material	316 stainless steel	
Temperature, °F (°C)	Working Pressure, psig(bar)	
-20 to 100(-28 to 37)	3000 (206)	2500(172)
200(93)	2580 (177)	2150(148)
300(148)	2330 (160)	1940 (133)
400(204)	2140 (147)	1780 (122)
500(260)	1990 (137)	1660 (114)
600(315)	1880 (129)	1560 (107)
650(343)	1845 (127)	1540 (106)
700(371)	1800 (124)	1500 (103)
750(398)	1760 (121)	1460 (100)
800(426)	1725 (118)	1440 (99.2)
850(454)	1690 (116)	1410 (97.1)
900(482)	1640 (112)	1360 (93.7)

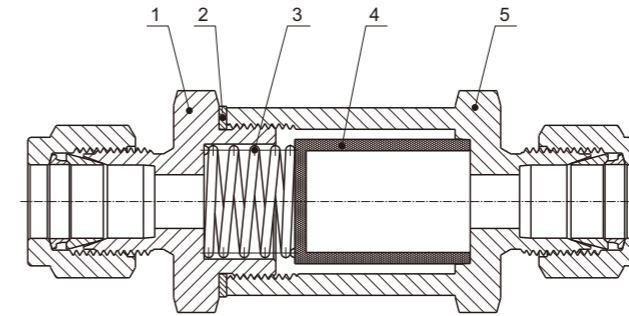
Effective filtration area

Filter series	Effective filtration area, in ² (mm ²)
	Sinter
SIF1	0.55(350)
SIF2	1.3(830)
SIF3 & SIF4	2.0(1280)

Filter element

Nominal hole size, μm	Hole size range, μm
0.5	0.5 to 2
2	1 to 4
7	5 to 10
15	11 to 25
60	50 to 75
90	75 to 100

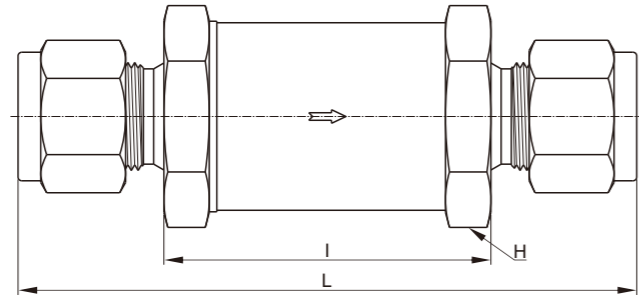
Standard structural materials



Number	Component Name	Body Material
		stainless steel
1	filter inlet body	316 stainless steel/A479
2	spacer	silvering 316 stainless steel/A479
3	spring	304 stainless steel
4	filter element	sintered 316 stainless steel
5	Filter outlet body	316 stainless steel/A479

Flow data at 20 ° C (70 ° F)

Nominal element aperture μm	Inlet pressure, psig(bar)									pressure difference, psig(bar)								
	5(0.34)			10(0.68)			15(1.0)			10(0.68)			50(3.4)			100(6.8)		
	SIF1	SIF2	SIF3,4	SIF1	SIF2	SIF3,4	SIF1	SIF2	SIF3,4	SIF1	SIF2	SIF3,4	SIF1	SIF2	SIF3,4	SIF1	SIF2	SIF3,4
	Air flow rate, std L/min									Water flow rate, L/min								
0.5	1.1	3.4	10	1.7	7.3	24	3.4	13	45	0.03	0.15	0.34	0.15	0.64	1.50	0.45	1.00	2.80
2	5.6	17	39	11	39	79	17	65	110	0.30	0.90	0.98	0.91	3.20	4.10	1.50	4.90	6.00
7	14	39	51	25	82	119	34	130	190	0.37	1.50	2.40	1.10	4.90	8.30	1.80	7.50	13.00
15	22	34	51	36	82	130	42	130	220	0.45	1.80	3.10	1.30	4.90	9.80	2.10	7.90	15.00
60	48	87	140	62	160	280	68	240	420	0.56	3.40	7.50	1.80	12.00	25.00	2.60	17.00	37.00
90	51	110	170	62	210	310	73	280	450	0.75	4.50	8.70	1.80	15.00	28.00	2.20	23.00	41.00



Size table

Model		Internal diameter (mm)	Connection Method		size (mm)		
Series	Specs		import	Export	H	I	L
SIF1	M2N	2.4	1/8 NPT male thread		14.3	29.2	48.6
	F2N		1/8 NPT female thread				54.9
	S2		1/8" card sleeve connector				59.7
	S3M		3mm card sleeve connector				60.5
SIF2	M4N	4.8	1/4 NPT male thread		19.0	39.7	68.3
	F4N		1/4 NPT female thread				72.9
	S4		1/4" card sleeve connector				75.2
	S6M		6mm card sleeve connector				75.2
SIF3	M6N	7.1	3/8 NPT male thread		25.4	43.2	71.6
	F6N		3/8 NPT female thread				77.2
	S6		3/8" card sleeve connector				81.8
SIF4	S8	10.4	1/2" card sleeve connector				86.9
	S10M		10mm card sleeve connector				82.2

The size is the size of the GBO-LOK nut when tightened by hand;
The size is for reference only. If there are any changes, the actual product shall prevail.

Ordering Information

Example

SIF2	M	4N	7	SS
1	2	3	4	5

1

Valve Series

SIF1	SIF2	SIF3	SIF4
2.4mm diameter	4.8mm diameter	7.1mm diameter	10.4mm diameter

2

End Connection Type

S	M	F
GBO-LOK card sleeve connector	male thread joint	female thread joint

3

End Connection Specs

Tube outside diameter code name

Outside diameter(in.)	1/8	1/4	3/8
Code	2	4	6
Outside diameter(mm)	3	6	10
Code	3M	6M	10M

Pipe thread Code Name

specs(in.)	1/8	1/4	3/8
Code	NPT thread	2N	4N
	BSPT thread	2R	4R

4

Filter cartridge - aperture

0.5	2	7	15	60	90
0.5 μm	2 μm	7 μm	15 μm	60 μm	90 μm

5

Body Material

SS	B
316 stainless steel	brass