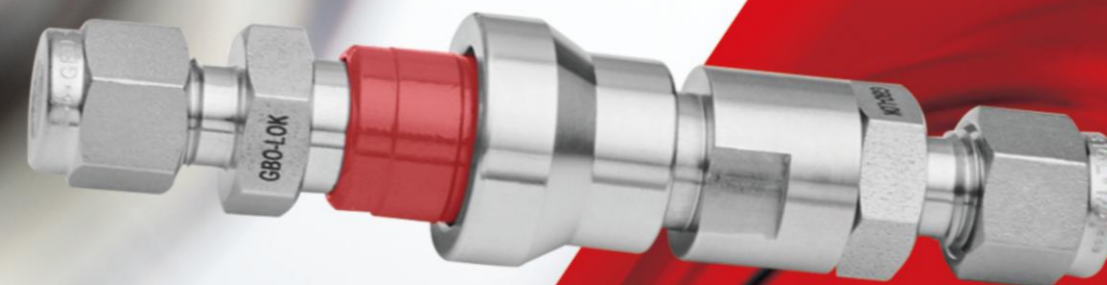


Quick Connector

GBO.LOK®

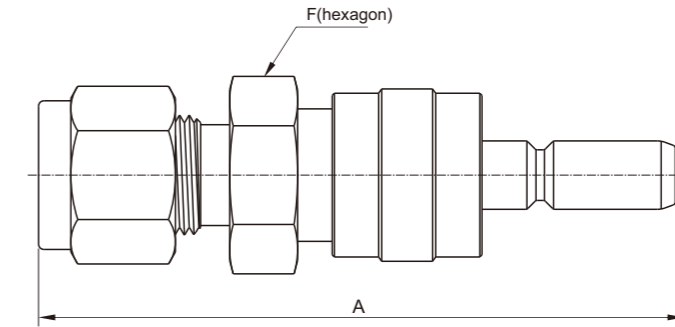


Instrument quick connector

SQC series

Feature

Simple push-pull actions can connect and disconnect pipelines without the need for tools; The Pipe body and stem can be provided with or without a one-way valve. The one-way valve automatically opens when connected and automatically closes when disconnected to minimize the loss of liquid or gas.



Standard structural materials

Number	Component Name	Material
1	pipe body, pipe stem, pipe valve, pipe insert	316 stainless steel
2	DO valve, DO holder	316 stainless steel
3	SO Stem Insert	316 stainless steel
4	O-rings	Viton
5	spring	304 stainless steel
6	retaining ring	302 stainless steel
7	valve body sleeve	316 stainless steel
8	shell	316 stainless steel
9	DO stem sleeve	316 stainless steel
10	SO stem sleeve	316 stainless steel
11	locking Device	316 stainless steel

Insertion depth

Series	Insertion depth, in. (mm)	
	SO	DO
SQC1	1.09 (27.7)	1.15 (29.2)
SQC2	1.18 (30.0)	1.30 (33.0)
SQC3	1.48 (37.6)	1.68 (42.7)

Overflow and gas entrapment

Overflow - the amount of system fluid that leaks out when disconnecting the quick connector (only applicable to DO dual end shutdown);
Air entrapment - the amount of air that enters the system and remains between the Pipe body and stem when connecting a quick connector (only applicable for DO dual end shut-off).

Series	overflow, cm ³	gas entrapment, cm ³
SQC1	0.3	0.3
SQC2	1.0	1.0
SQC3	3.0	3.0

Pressure - Temperature Value

Temperature °F (°C)	316 stainless steel, Fluorocarbon FKM O-rings		
	SQC1	SQC2	SQC3
70 (20)	3000 (206)	1500 (103)	750 (51.6)
400 (204)	250 (17.2)		

Max flow rate

Water flow rate at 70 ° F (20 ° C)

Series	SQC1	SQC2	SQC3
U.S gal/min	4	6	10
L/min	15	22	37

Connect the entire length

To calculate the total length of the connection position, subtract the insertion depth from the total length of the stem and body.

Optional parts

The Pipe body and stem protector can prevent them from being damaged or contaminated during the disconnection process.

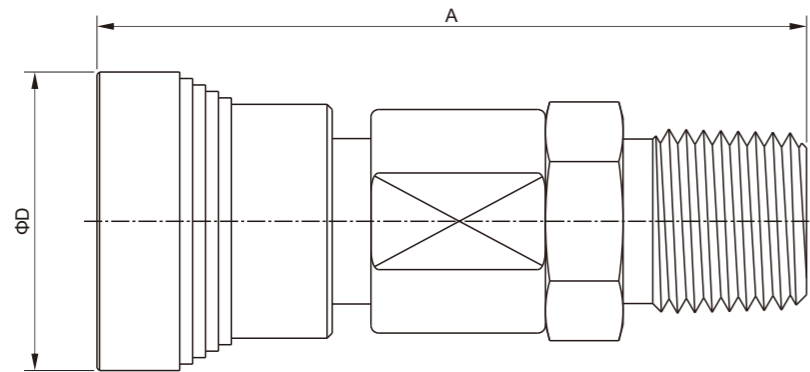
Series	Product ordering model	
	Pipe body protector	Stem protector
SQC1	SQC1-BP	SQC1-PP
SQC2	SQC2-BP	SQC2-PP
SQC3	SQC3-BP	SQC3-PP

Pipe stem

Size table

Model		Specs	Cv		End Connection Type	A		F
SO	DO		SO	DO		SO	DO	
SQC1P-SO	SQC1P-DO	S2	0.08	0.08	1/8" card sleeve connector	69.8	70.4	15.9
		S4	0.4	0.2	1/4" card sleeve connector	59.9	61.5	
		S6M			6mm card sleeve connector	53.5	54.1	
		M2N			1/8 NPT male thread			
		M4N(R)			1/4 NPT male thread(PT male thread)	57.3	57.9	
		F2N			1/8 NPT female thread	52.0	52.6	
F4N(R)	1/4 NPT female thread(PT female thread)	58.3			58.9	19.1		
SQC2P-SO	SQC2P-DO	S6	1.5	0.5	3/8" card sleeve connector	66.5	67.1	19.1
		S10M			10mm card sleeve connector	69.8	70.4	
		M4N			1/4 NPT male thread	61.3	61.9	
		M6N(R)			3/8 NPT male thread(PT male thread)	62.1	62.7	
		F4N			1/4 NPT female thread			
		F6N(R)			3/8 NPT female thread(PT female thread)	62.1	62.7	
SQC3P-SO	SQC3P-DO	S8	3.3	1.5	1/2" card sleeve connector	79.7	80.3	23.8
		S12M			12mm card sleeve connector			
		M8N(R)			1/2 NPT male thread(PT male thread)	76.6	77.2	
		F8N(R)			1/2 NPT female thread(PT female thread)	76.1	76.7	

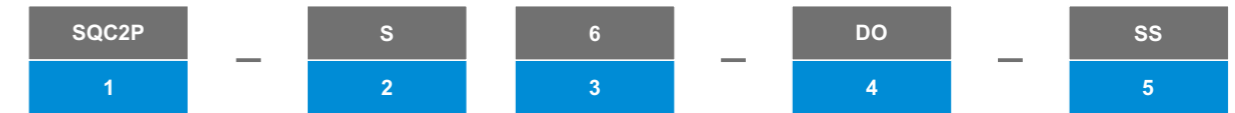
Pipe body



Model		End Connection Type	A	D
Stem series	Specs			
SQC1B	S2	1/8" card sleeve connector	57.4	23.1
	S4	1/4" card sleeve connector	58.4	
	S6M	6mm card sleeve connector		
	M2N	1/8 NPT male thread	51.1	
	M4N(R)	1/4 NPT male thread(PT male thread)	56.9	
	F2N	1/8 NPT female thread		
	F4N(R)	1/4 NPT female thread(PT female thread)	61.5	
SQC2B	S6	3/8" card sleeve connector	65.5	26.2
	S10M	10mm card sleeve connector	68.1	
	M4N	1/4 NPT male thread	60.5	
	M6N(R)	3/8 NPT male thread(PT male thread)		
	F4N	1/4 NPT female thread	64.5	
	F6N(R)	3/8 NPT female thread(PT female thread)	65.3	
SQC3B	S8	1/2" card sleeve connector	78.5	30.7
	S12M	12mm card sleeve connector		
	M8N(R)	1/2 NPT male thread(PT male thread)	75.4	
	F8N(R)	1/2 NPT female thread(PT female thread)	81.8	

Ordering Information

Example



Quick Connector Series

1

Pipe body	Pipe stem
SQC1B	SQC1P
SQC2B	SQC2P
SQC3B	SQC3P

End Connection Type

2

S	M	F
GBO-LOKcard sleeve connector	male thread joint	female thread joint

End Connection Specs

3

Pipe outside diameter code name

code	4	6	8
outside diameter(in.)	1/4	3/8	1/2
code	6M	10M	12M
outside diameter(mm)	6	10	12

Pipe thread Code Name

Specs(in.)		1/8	1/4	3/8	1/2
code	NPT thread	2N	4N	6N	8N
	BSPT thread	2R	4R	6R	8R

Quick connector code

4

SO	DO
Internal without one-way valve	Internally equipped with one-way valve

Material

5

SS
316 stainless steel

Full flow quick connector

SFQC series

Feature

The proven steel ball locking mechanism provides reliable connections;

Compact connections provide unrestricted full flow without any orifice restrictions;

O-ring can be easily replaced without disassembling the tube body.



Standard structural materials:

Number	Component Name	Material	
		316 stainless steel	brass
1	Pipe stem	316 stainless steel/A479	brass/B16
2	Steel wire retaining ring for shaft	304 stainless steel/A313	
3	steel ball	316 stainless steel	
4	Pipe body casing	316 stainless steel/A276	brass/B16
5	spring	304 stainless steel/A313	
6	O-rings	Viton	NBR
7	Pipe body	316 stainless steel/A479	brass/B16

Insertion depth

Series	Insertion depth, in. (mm)
SFQC2	0.78 (19.8)
SFQC3	0.81 (20.6)
SFQC4	0.91 (23.0)
SFQC5	0.94 (23.9)

Pressure - Temperature Value

Temperature °F (°C)	316 stainless steel Fluorocarbon(FKM) O-rings				brass,NBR O-rings			
	SFQC2	SFQC3	SFQC4	SFQC5	SFQC2	SFQC3	SFQC4	SFQC5
	Working Pressure,psig(bar)				Working Pressure,psig(bar)			
70 (20)	6000 (413)		4000 (275)		4000 (275)	3000 (206)		2000 (137)
250 (121)	3000 (206)		2100 (144)		100 (6.8)			
400 (204)	100 (6.8)				-			

Optional parts

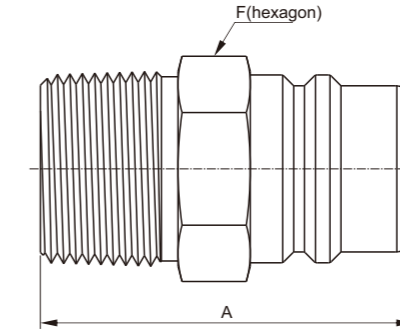
Pipe body and stem protector

The tube body and stem protector can prevent them from being damaged or contaminated during the disconnection process.

Series	Product ordering model	
	Pipe body protector	Pipe stem protector
SFQC2	SFQC2-BP	SFQC2-PP
SFQC3	SFQC3-BP	SFQC3-PP
SFQC4	SFQC4-BP	SFQC4-PP
SFQC5	SFQC5-BP	SFQC5-PP

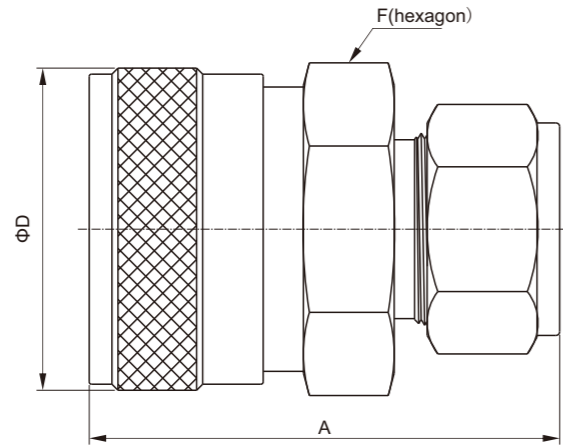
Size table

Pipe stem



Model		Cv	Min ID(mm)	End Connection Type	A	F
Pipe stem Series	Specs					
SFQC2P	S4	2.2	6.1	1/4" card sleeve connector	45.0	14.3
	S6	2.8		3/8" card sleeve connector		17.5
	M4N(R)	1.7		1/4 NPT male thread (PT male thread)	40.4	14.3
	M6N(R)			3/8 NPT male thread (PT male thread)		17.5
	M4G			1/4 BSPP male thread	40.6	19.1
	F4N(R)			1/4 NPT female thread (PT female thread)		42.4
	F6N(R)			3/8 NPT female thread (PT female thread)	40.6	
	F4G			1/4 BSPP female thread		27.0
SFQC3P	S6	2.9	3/8" card sleeve connector	50.5	22.2	
	S8	13.0	1/2" card sleeve connector			
	M6N(R)	7.1	3/8 NPT male thread (PT male thread)	46.7	27.0	
	M8N(R)	11.5	1/2 NPT male thread (PT male thread)			
	M8G	11.5	1/2 BSPP male thread	46.2	27.0	
	F6N(R)	7.1	3/8 NPT female thread (PT female thread)			
	F8N(R)	11.5	1/2 NPT female thread (PT female thread)	46.2	27.0	
	F8G	11.5	1/2 BSPP female thread			
SFQC4P	S12	26.0	3/4" card sleeve connector	54.6	27.0	
	M12N(R)	23.6	3/4 NPT male thread (PT male thread)	51.6		
	F12N(R)		3/4 NPT female thread (PT female thread)	52.8		
SFQC5P	S16	45.0	1" card sleeve connector	62.2	34.9	
	M16N(R)	39.0	1" NPT male thread (PT male thread)	59.7		
	F16N(R)		1" NPT female thread (PT female thread)	63.2		

Pipe body



Model		Min ID(mm)	End Connection Type	A	D	F
Pipe stemSeries	Specs					
SFQC2B	S4	4.8	1/4" card sleeve connector	45.7	22.2	17.5
	S6	7.1	3/8" card sleeve connector	46.0		
	M4N(R)	6.4	1/4 NPT male thread (PT male thread)	40.0		
	M6N(R)	9.4	3/8 NPT male thread (PT male thread)	40.0		
	M4G	6.1	1/4 BSPP male thread	45.7		19.1
	F4N(R)	9.7	1/4 NPT female thread (PT female thread)	38.1		22.2
	F6N(R)		3/8 NPT female thread (PT female thread)	41.4		22.2
	F4G		1/4 BSPP female thread	38.1		19.1
SFQC3B	S6	7.1	3/8" card sleeve connector	55.1	33.0	27.0
	S8	11.9	1/2" card sleeve connector	56.6		
	M6N(R)	10.4	3/8 NPT male thread (PT male thread)	46.5		
	M8N(R)	12.7	1/2 NPT male thread (PT male thread)	52.8		
	M8G	11.9	1/2 BSPP male thread	52.8		
	F6N(R)	15.0	3/8 NPT female thread (PT female thread)	43.9		
	F8N(R)	16.0	1/2 NPT female thread (PT female thread)	43.9		
	F8G		1/2 BSPP female thread	43.9		
SFQC4B	S12	15.7	3/4" card sleeve connector	62.2	42.6	38.1
	M12N(R)	18.3	3/4 NPT male thread (PT male thread)	59.2		
	F12N(R)	22.4	3/4 NPT female thread (PT female thread)	48.0		
SFQC5B	S16	22.4	1" card sleeve connector	70.0	49.0	44.5
	M16N(R)		1" NPT male thread (PT male thread)	67.3		
	F16N(R)	26.9	1" NPT female thread (PT female thread)	53.8		

Ordering Information

Example



Quick Connector Series

1	Pipe body	Pipe stem
	SFQC2B	SFQC2P
	SFQC3B	SFQC3P
	SFQC4B	SFQC4P
	SFQC5B	SFQC5P

End Connection Type

2	S	M	F
	GBO-LOK card sleeve connector	male thread joint	female thread joint

End Connection Specs

Pipe outside diameter code name

code	4	6	8	12	16
outside diameter(in.)	1/4	3/8	1/2	3/4	1
code	6M	10M	12M	20M	25M
outside diameter(mm)	6	10	12	20	25

Pipe thread Code Name

Specs(in.)		1/4	3/8	1/2	3/4	1
code	NPT thread	4N	6N	8N	12N	16N
	BSPT thread	4R	6R	8R	12R	16R
	BSPP thread	4G	6G	8G	12G	16G

Material

4	SS	B
	316 stainless steel	brass